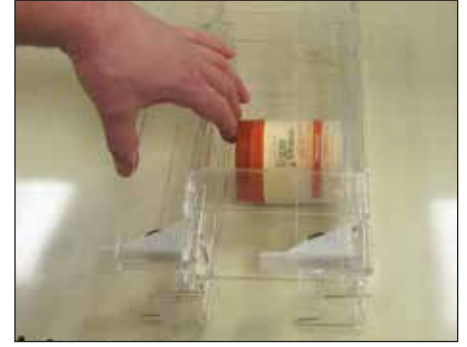


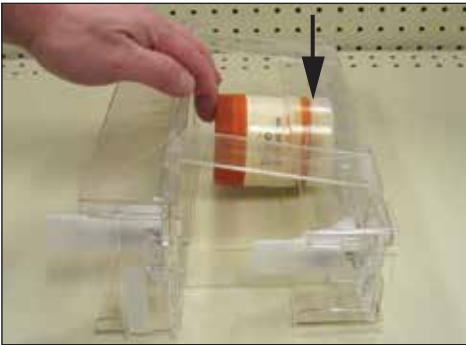
1 Adjust trays for product. Open top and bottom tray to maximum width.



2 Lay unit on its side.



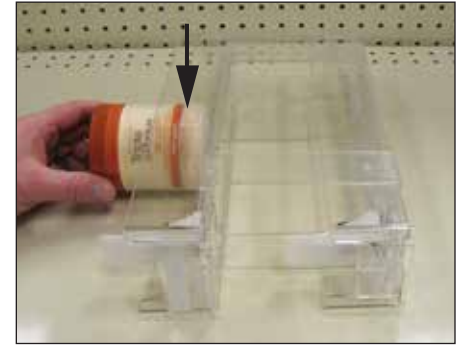
3 Insert one facing in the center of the bottom tray.



4 Tap side of tray down to fit the facing.



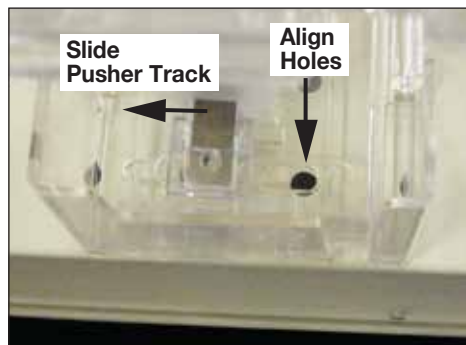
5 Insert one facing in the center of the top tray.



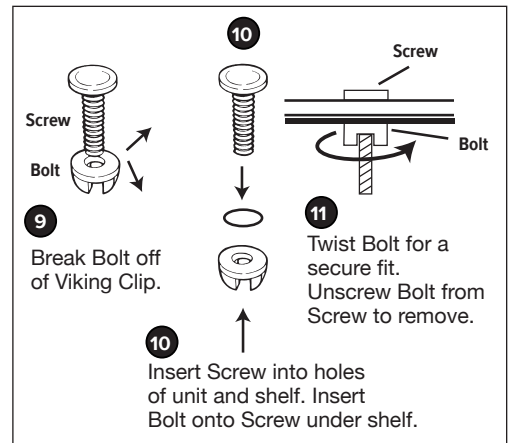
6 Tap side of tray down to fit the facing.



7 Return unit to an upright position. Check to see that the product can slide front to back with ease. Adjust sides of trays for product to slide with ease.



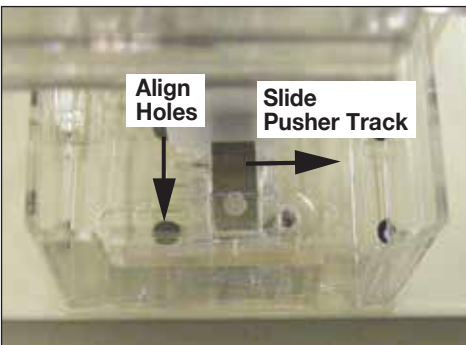
8 Slide pusher track left-to-right to access holes in tray. Align holes in front bottom tray with the holes in the shelf.



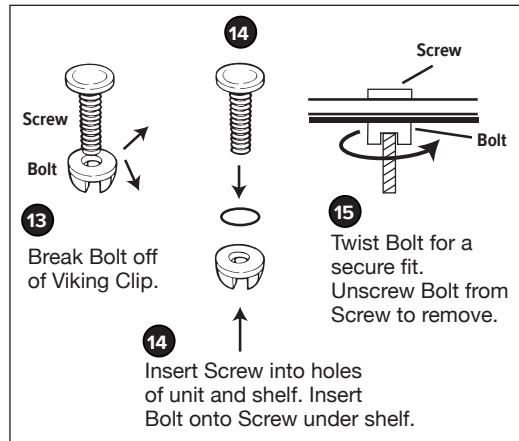
9 Break Bolt off of Viking Clip.

10 Insert Screw into holes of unit and shelf. Insert Bolt onto Screw under shelf.

11 Twist Bolt for a secure fit. Unscrew Bolt from Screw to remove.



12 Slide pusher track left-to-right to access holes in tray. Align holes in front bottom tray with the holes in the shelf.



13 Break Bolt off of Viking Clip.

14 Insert Screw into holes of unit and shelf. Insert Bolt onto Screw under shelf.

15 Twist Bolt for a secure fit. Unscrew Bolt from Screw to remove.



16 Insert price tag into top tray c-channels. Insert second price tag into shelf channel. Installation is complete.